

BLACK+DECKER

TM

MILL & BREW

12-CUP* PROGRAMMABLE
COFFEE MAKER

CAFETERA DE
12 TAZAS* PROGRAMABLE

CAFETIÈRE PROGRAMMABLE
DE 12 TASSES*

use and care manual

manual de uso y cuidado

guide d'utilisation et d'entretien



CM5000BD
CM5000GD
CM5000RD
CM5000WD



*One cup equals approximately 5 oz. (varies by brewing technique)

*Una taza equivale a aproximadamente 5 onzas (varía de acuerdo al método de preparación utilizado)

*Une tasse équivaut à environ 115 g (5 oz; varie selon la technique de brassage)

CONTENTS

Important Safeguards	3-4
Getting to know your Mill & Brew Coffee Maker	5-6
Mill & Brew Coffee Maker Product Benefits	7
Getting to know your Control Panel	8
Before Brewing	9
Programming your Mill & Brew Coffee Maker	9-10
4 Elements to Brew the Perfect Cup	11
Tips for a Perfect Cup of Coffee	12
Brewing Coffee	13-14
Care and Cleaning	15-16
Troubleshooting	17
Warranty and Customer Service Information	18



WARNING

RISK OF FIRE OR ELECTRIC SHOCK. DO NOT OPEN.

The lightning symbol refers to “dangerous voltage”; the exclamation symbol refers to maintenance instructions. See below.

Warning: To reduce the risk of fire or electric shock, do not remove the cover of the coffeemaker. There are no user-serviceable parts inside. Repair should be done by authorized service personnel only.

IMPORTANT SAFEGUARDS.

When using electrical appliances, basic safety precautions should always be followed to reduce the risk of fire, electric shock, and/or injury, including the following:

- Read all instructions.
- Do not touch hot surfaces. Use handles or knobs.
- To protect against fire, electric shock and injury to persons do not immerse cord, plugs or appliance in water or other liquid.
- Close supervision is necessary when any appliance is used by or near children.
- Unplug from outlet when either the appliance or display clock is not in use, and before cleaning. Allow to cool before putting on or taking off parts, and before cleaning the appliance.
- Do not operate any appliance with a damaged cord or plug, or after the appliance malfunctions or has been damaged in any manner. Contact Consumer Support at the number listed in this manual.
- The use of accessory attachments not recommended by the appliance manufacturer may result in fire, electric shock or injury to persons.
- Do not use outdoors.
- Do not let cord hang over edge of table or counter, or touch hot surfaces.
- Do not place on or near a hot gas or electric burner, or in a heated oven.
- To disconnect, turn any control to off, then remove plug from wall outlet.
- Do not use this appliance for other than intended use.
- Keep lid on the carafe when in use.
- Scalding may occur if the lid is removed during the brewing cycles.
- The carafe is designed for use with this appliance. It must never be used on a range top.
- Do not set a hot carafe on a wet or cold surface.
- Do not use a cracked carafe or a carafe having a loose or weakened handle.
- Do not clean carafe with cleansers, steel wool pads or other abrasive material.
- This appliance is not intended for use by persons (including children) with reduced physical, sensory or mental capabilities, or lack of experience and knowledge, unless they have been given supervision or instruction concerning use of the appliance by a person responsible for their safety.
- Children should be supervised to ensure that they do not play with the appliance.
- Scalding and/or burns may occur if the integrated grinder lid is removed during the brewing cycle.
- Check the grinder basket for presence of foreign objects before using.
- Only coffee beans and coffee grounds should be placed into the grinder basket.
- Avoid contact with moving parts.

SAVE THESE INSTRUCTIONS.

This product is for household use only.

POLARIZED PLUG (120V models only)

This appliance has a polarized plug (one blade is wider than the other). To reduce the risk of electric shock, this plug is intended to fit into a polarized outlet only one way. If the plug does not fit fully into the outlet, reverse the plug. If it still does not fit, contact a qualified electrician. Do not attempt to modify the plug in any way.

TAMPER-RESISTANT SCREW

Warning: This appliance is equipped with a tamper-resistant screw to prevent removal of the outer cover. To reduce the risk of fire or electric shock, do not attempt to remove the outer cover. There are no user-serviceable parts inside. Repair should be done only by authorized service personnel.

ELECTRICAL CORD

- a) A short power-supply cord is provided to reduce the risks resulting from becoming entangled in or tripping over a longer cord.
- b) Extension cords are available and may be used if care is exercised in their use.
- c) If an extension cord is used:
 - 1) The marked electrical rating of the extension cord should be at least as great as the electrical rating of the appliance;
 - 2) If the appliance is of the grounded type, the extension cord should be a grounding-type 3-wire cord; and
 - 3) The cord should be arranged so that it will not drape over the counter top or tabletop where it can be pulled on by children or tripped over.

Note: If the power cord is damaged, please contact the warranty department listed in these instructions.

GETTING TO KNOW YOUR MILL & BREW COFFEE MAKER



- | | |
|------------------------------|--|
| 1. Control panel | 6. Duralife™ glass carafe
(Part# CM5000-01) |
| 2. Lift latch | 7. “Keep hot” carafe plate |
| 3. Lid | 8. Coffee scoop
(Part# CM5000-02) |
| 4. Water reservoir cover | |
| 5. Easy viewing water window | |

Product may vary slightly
from what is illustrated.

GETTING TO KNOW YOUR MILL & BREW COFFEE MAKER

1. 2-in-1 grinder and permanent filter basket
(Part# CM5000-03)
2. Washable brew basket
(Part# CM5000-04)



3. Lift latch
4. Grinder lid
5. Removable showerhead
(press highlighted tabs to remove)
(Part# CM5000-05)



MILL & BREW COFFEE MAKER

PRODUCT BENEFITS

Fresh Brew Timer

After the brew cycle is complete, the time since brewed will be displayed in 1-minute increments. This information will be in place of the digital clock during keep warm.

2-in-1 Grinder and Permanent Filter Basket

Whole coffee beans are ground and brewed in the same grinder assembly, allowing for fast brewing and easy clean-up.

Eco-Friendly Permanent Filter

The high-performance Bronze Tone permanent filter eliminates the need for paper filters and minimizes any coffee staining appearance.

Washable Brew Basket

The washable brew basket can easily be removed and washed after brewing, and is top rack dishwasher safe.

Removable Showerhead

The coffeemaker's showerhead is removable for easy cleaning.

Auto Brew

The programmable Auto Brew delay start allows you to set the 24-hour timer to brew coffee at the selected time, day or night.

Digital Clock with Backlighting

The LCD display features a programmable digital clock and backlighting for easy-viewing in low light conditions.

Adjustable Auto-Shutoff

This feature allows you to select automatic shutoff times from 0-2 hours in 30 minute increments. The "Keep Hot" carafe plate will be activated until the automatic shutoff time is reached.

Brew Strength Selector

Customize the flavor of your coffee by selecting from three brew strength settings: regular, strong, or bold.

Sneak-A-Cup™

Can't wait for the full pot of coffee to finish brewing? Sneak-A-Cup™ of coffee before brewing using this great feature, which stops the flow of coffee into your carafe. Replace the carafe back in the coffee maker within 15 seconds to prevent brew basket overflow.

Grind Select

Cycles through optimal grind settings (4, 6, 8, 10, 12) correlating with the number of cups to be brewed, or turns the grinder OFF for brewing pre-ground coffee.

Duralife™ Glass Carafe

Durable construction provides an extended carafe life. Water level markings make for easy filling and pouring.

Non-stick "Keep Hot" Carafe Plate

This feature allows you to keep your carafe of coffee hot after brewing until the selected auto-shutoff time has been reached.

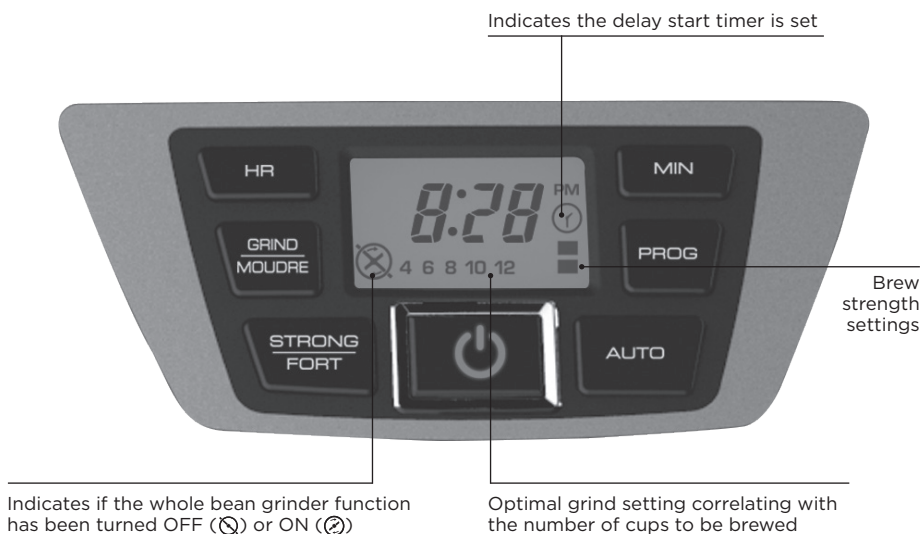
Easy Viewing Water Window

The water window shows the amount of water in the reservoir for easy and accurate filling.

Cord Storage

Keep excess cord out of the way and your countertop neat with simple cord storage.

GETTING TO KNOW YOUR CONTROL PANEL



Clock / Backlit LCD Display

Power : Turns the unit ON or OFF.

AUTO: Turns on the Auto Brew delayed start.

PROG (Program): Auto Brew, press and release button once. Keep Warm, press and hold.

HR (Hour): Use to program the clock (see “Programming” section).

MIN (Minute): Use to program the clock (or cycle through different keep warm settings when in that program mode to adjust “Keep Warm” time.)

GRIND: Cycles through optimal grind settings (4, 6, 8, 10, 12) correlating with the number of cups to be brewed. Also, turns the grinder OFF (☒) for brewing pre-ground coffee.

STRONG: Use to select the Brew Strength setting (3 levels)
No bars = regular (default setting)
1 bar (▬) = strong
2 bars (■) = bold

BEFORE BREWING

1. Carefully unpack your coffeemaker, removing all packaging materials, labels, and/or stickers from your coffeemaker.
2. Clean your coffeemaker thoroughly before using for the first time. Wash the Glass Carafe, Washable Brew Basket, 2-in-1 Grinder and Permanent Filter Basket, and Removable Showerhead in warm, soapy water. Rinse and dry, then place back into your coffeemaker.
3. Clean the inside of your coffeemaker by running two full brewing cycles with water only, no coffee.
 - a. Pour fresh, cold water into the water reservoir up to the 12-cup MAX mark, then place carafe on the warming plate.
 - b. Plug cord into standard electrical outlet.
 - c. Press the GRIND button until you reach the symbol to turn the grinder OFF (☒)
 - d. Push the ON-OFF / Power Button to immediately brew water through the coffeemaker without adding coffee.
 - e. Once the cycle is finished, discard water and rinse out the 2-in-1 Grinder and Permanent Filter Basket.
 - f. Turn off appliance, unplug and allow to cool down for 15 minutes before repeating.

PROGRAMMING YOUR MILL & BREW COFFEE MAKER

Note: The first button press illuminates the backlit display and any subsequent presses will perform the programming.

Setting the Digital Clock

1. Plug the coffeemaker into a standard electrical outlet.
2. The digital clock display flashes “12:00”.
3. To set the time, press the HR button until the correct hour appears on the display. The “PM” symbol will appear in the upper right corner of the digital display for PM time settings.
4. Press the MIN button to select minutes.

Note: If the unit is unplugged or power interrupted, the time will need to be reset, as will the Auto Brew delay start time.

Setting the Auto Brew Delay Start

The programmable Auto Brew delay start allows you to set the 24-hour timer to brew coffee at the selected time, day or night. To activate the Auto Brew timer, follow the steps on the next page:

PROGRAMMING YOUR MILL & BREW COFFEE MAKER

1. After the digital clock is set, press the PROG button. The timer icon (🕒) will begin to flash and display will read 12:00.
2. Press the HR button and then MIN button to select the time you would like automatic brewing to begin (for example: 7:30 AM). Make sure the PM light is not on, if needed.
3. The timer display will flash several times then switch back to the current time of day.
4. Press and release the AUTO button to activate the delay start time that was just programmed. The timer icon (🕒) will remain solid, indicating Auto Brew is activated.
5. When the time of day matches the programmed Auto Brew set time, your coffeemaker will activate the brew cycle.
6. To cancel the Auto Brew function, press the AUTO button until the timer icon (🕒) disappears.

Note: To check the preset Auto Brew time, press PROG button and the preset Auto Brew time is displayed. Press AUTO button to reactivate the timer.

Setting the Adjustable Auto-off, Keep Warm Time

This feature allows you to select automatic shutoff times from 0-2 hours in 30 minute increments. The “Keep Hot” carafe plate will be activated until the automatic shutoff time is reached.

1. Press and hold PROG button for 3 seconds. This will show the default (120 minutes) keep warm time setting.
2. Press the MIN button to toggle through the keep warm settings (00, 30, 60, 90, 120). The values correlate to length of time (in minutes) the keep warm will remain on after brewing.
3. Press the PROG button to lock in the keep warm setting.

Note: To check the time Auto Brew is set for without making changes, press the PROG button to display the Auto Brew time, then press the AUTO button.”

Setting the Brew Strength Selector

The Brew Strength Selector customizes the flavor of your coffee by selecting from three brew strength settings.

1. Press the STRONG button to cycle through the different Brew Strength settings (3 levels).
 - a. No bars = regular (default setting)
 - b. 1 bar (■) = strong
 - c. 2 bars (■ ■) = bold

4 ELEMENTS TO BREW THE PERFECT CUP



Water Quality

A great cup of coffee starts with fresh, quality water. Since water represents more than 98% of brewed coffee, it is just as important as the coffee quality itself. The water you use should taste like fresh, good-quality drinking water, have an odorless aroma, and contain no visible impurities.



Coffee Freshness

A truly fresh cup of coffee only comes from freshly ground coffee beans. In fact, once a coffee bean is broken or ground, its flavor will begin to degrade over time. Your Mill & Brew coffee maker maximizes the freshness of your coffee by grinding the coffee beans just prior to brewing.



Grind Selection

The particle size of the coffee grind is vital for ensuring proper flavor and extraction. A coffee grind that is too coarse will allow water to pass through too quickly without proper extraction. A coffee grind that is too fine will lead to over-extraction and produce a bitter taste. Your Mill & Brew™ coffee maker comes with a Grind setting to select the optimal grind, correlating with the number of cups to be brewed and ensuring proper grind size for this type of coffee maker.



Proper Proportion

It is important to use the proper coffee-to-water ratio to produce a finished brew that isn't too strong or weak. When using whole coffee beans or pre-ground coffee, we recommend using 1 tablespoon for every 1 cup of brewed coffee. This proportion may be adjusted to suit your individual taste, or try the Brew Strength Selector to customize your flavor!



TIPS FOR A PERFECT CUP OF COFFEE



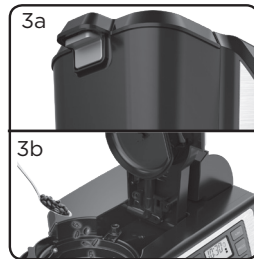
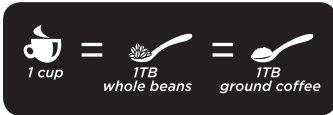
- To maximize the freshness of your coffee, use the integrated grinder to grind your coffee beans just before brewing.
- When brewing whole bean coffee, use the Grind setting to select the optimal grind, correlating with the number of cups to be brewed and ensuring proper grind size.
- The coffee grinder is intended for coffee beans only. Do not grind other food products or spices in the coffee grinder.
- Always use fresh, cold, clean water in your coffee maker. The water you use should have an odorless aroma and contain no visible impurities.
- Use spring water or filtered water, not distilled water which lacks the minerals necessary to bind to elements of the coffee bean.
- A clean coffee maker is always important. Regular cleaning is required for the best tasting coffee.
- Always store your coffee in a cool, dry place. Once coffee has been opened, keep it tightly sealed in an airtight container.
- Do not refrigerate or freeze your daily supply of coffee, as contact with moisture will cause the coffee to deteriorate.
- Never re-use your coffee grounds. After brewing, the desirable coffee flavors have been extracted and only the bitter flavors remain.
- Brewed coffee should be enjoyed immediately! Allowing coffee to sit too long and reheating coffee will impact the flavor.
- Smell the aroma of your freshly brewed coffee, and remember that every sip is meant to be savored and enjoyed!

BREWING COFFEE

1. Fill the carafe with the desired amount of fresh, cold water and pour into the water reservoir. Do not fill with more than 12 cups of water.
2. Close the water reservoir cover and place the carafe on the Keep Hot carafe plate.



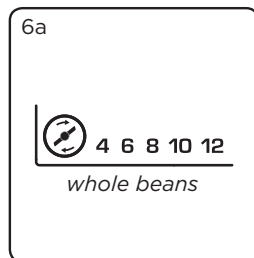
3. (a) Open the grinder lid using the lift latch and (b) add the desired amount of coffee into the 2-in-1 Grinder and Permanent Filter.



4. Secure the integrated grinder lid back into place. Push the lid cover down until it snaps into place or until you hear a click. The coffee maker will not operate without the lid being closed, all grinder assembly parts in place, and the removable showerhead in place.
5. Make sure the coffee maker is plugged into a standard electrical outlet.

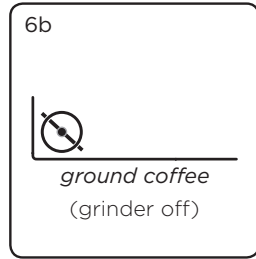


6. (a) **If using whole beans**, push the GRIND button to cycle through and select the optimal grind setting (4, 6, 8, 10, 12) correlating with the number of cups to be brewed.



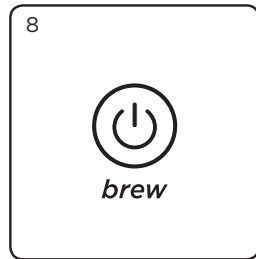
BREWING COFFEE

6. **(b) If using ground coffee**, push the GRIND button to cycle through the grind settings until you reach the symbol to turn the grinder OFF for brewing pre-ground coffee.



7. To set the Auto Brew delay start, adjustable auto-off, and Brew Strength Selector, follow the detailed instructions in the “Programming your Mill & Brew” coffee maker section.

8. Press the ON-OFF/Power Button just once to begin the brew cycle. If using whole beans, the brew cycle will automatically start after grinding.



9. The Sneak-A-Cup™ feature allows you to pour a cup of coffee before the brewing cycle is complete. The carafe must be placed back into the coffeemaker within 15 seconds to prevent overflow. Replacing the carafe will restart the brewing process.



10. Once the coffee grounds are cool, empty your brew basket and rinse after each brewing cycle just like a regular permanent filter.



CARE AND CLEANING

Cleaning your coffee maker, following the directions below is recommended after every use. This product contains no user serviceable parts.

Cleaning

1. Make sure your coffee maker is turned OFF, unplugged and allow to cool.
2. Wipe the outside of your coffee maker and carafe warming plate with a soft, damp cloth.
3. Remove the Washable Brew Basket and 2-in-1 Grinder and Permanent Filter Basket, and discard the coffee grounds.
4. Wash the Removable Showerhead and 2-in-1 Grinder and Permanent Filter Basket by hand in warm water and dish soap.
5. Wash the glass carafe and Washable Brew Basket either by hand in warm water with dish soap, or in the dishwasher (top rack only).
6. To clean the inside of the cover and inside of the grinder assembly, open the cover, leave in the open position, and wipe with a damp cloth.

Note: Do not use abrasive cleansers or scouring pads, and never immerse the coffee maker housing or power cord in water.

COFFEEMAKER PART	CLEANING INSTRUCTIONS
Housing Carafe Warming Plate Power Cord	Wipe with a soft, damp cloth.
Removable Showerhead 2-in-1 Grinder and Permanent Filter Basket	Wash by hand in warm soapy water.
Carafe and carafe lid Washable Brew Basket	Wash by hand in warm soapy water, or in the dishwasher (top rack only).

CARE AND CLEANING

Descaling with Vinegar

With regular use, minerals and hard water can clog your coffee maker. A full cleaning with vinegar is recommended once a month.

1. Pour white vinegar into the water reservoir up to the 6-cup mark on the water window. Add fresh, cold water up to the 10-cup mark.
2. Put the 2-in-1 Grinder and Permanent Filter and Washable Brew Basket into the Mill & Brew™ Assembly and close the cover. Set empty carafe on the “Keep Hot” carafe plate.
3. Push the GRIND button to cycle through the grind settings until you reach the symbol to turn the grinder OFF (☒)
4. Push the ON-OFF / Power Button and let half the cleaning mixture brew into the carafe (until level is around 5-cup mark). Turn OFF coffee maker and let it soak for at least 15 minutes.
5. Turn ON coffee maker again and brew remaining cleaning mixture into carafe.
6. Turn OFF coffee maker and empty the carafe.
7. Fill the water reservoir with cold water to the 11-cup line; replace carafe on the carafe plate and then turn ON coffeemaker for a complete brewing cycle to flush out remaining cleaning mixture. Repeat this step to completely remove the vinegar smell/taste.
8. Wash the Removable Showerhead, Washable Brew Basket, 2-in-1 Grinder and Permanent Filter Basket, and glass Carafe as instructed in the Care and Cleaning Table.

TROUBLESHOOTING

PROBLEM	POSSIBLE CAUSE	SOLUTION
Coffee maker does not turn on.	Coffee maker is not plugged in.	Make sure appliance is plugged into a working outlet.
Coffee maker is leaking.	Water reservoir may be overfilled.	Make sure water reservoir has not been filled beyond the 12-cup MAX line.
	Carafe may not be correctly placed on the “Keep Hot” carafe plate	Make sure carafe is placed correctly on the “Keep Hot” carafe plate.
The brew basket overflows.	The carafe has been removed for longer than 15 seconds when using the Sneak-A-Cup™ feature.	Make sure to replace the carafe within 15 seconds during the brewing cycle.
	Excessive amount of coffee is used.	Reduce the amount of coffee used to eliminate brew basket overflows.
	The coffee has been ground too finely.	Adjust the grind setting, cup selection, to a lower cup setting.
	The brew basket Sneak-A-Cup™ mushroom may be clogged with coffee grounds.	Free the brew basket of coffee grounds by pushing the mushroom shaped Sneak-A-Cup™ part up and down during rinsing.
Coffee sediment in brewed cup of coffee.	Coffee grounds are small enough to pass through the permanent filter.	While it is normal to see some coffee sediment when using a permanent filter, a coarser grind can reduce the amount of sediment.
The coffee maker brews slowly.	The coffee maker needs cleaning.	Follow the instructions in the “Descaling with Vinegar” section on page 14.
Grinder does not turn on	Grinder overheated	Let cool 15 minutes and unplug unit for at least 30 seconds to reset fuse.



If additional assistance is needed, please contact our consumer service team at **1-800-465-6070**.

WARRANTY AND CUSTOMER SERVICE INFORMATION

For service, repair or any questions regarding your appliance, call the appropriate 800 number listed within this section. Please **DO NOT** return the product to the place of purchase. Also, please **DO NOT** mail product back to manufacturer, nor bring it to a service center. You may also want to consult the website listed on the cover of this manual.

Two-Year Limited Warranty (Applies only in the United States and Canada)

What does it cover?

- Any defect in material or workmanship provided; however, Spectrum Brands, Inc.'s liability will not exceed the purchase price of product.

For how long?

- Two years from the date of original purchase with proof of purchase.

What will we do to help you?

- Provide you with a reasonably similar replacement product that is either new or factory refurbished.

How do you get service?

- Save your receipt as proof of date of sale.
- Visit the online service website at www.prodprotect.com/blackanddecker, or call toll-free **1-800-465-6070**, for general warranty service.
- If you need parts or accessories, please call **1-800-738-0245**.

What does your warranty not cover?

- Damage from commercial use
- Damage from misuse, abuse or neglect
- Products that have been modified in any way
- Products used or serviced outside the country of purchase
- Glass parts and other accessory items that are packed with the unit
- Shipping and handling costs associated with the replacement of the unit
- Consequential or incidental damages (Please note, however, that some states do not allow the exclusion or limitation of consequential or incidental damages, so this limitation may not apply to you.)

How does state law relate to this warranty?

- This warranty gives you specific legal rights. You may also have other rights that vary from state to state or province to province.

TABLA DE CONTENIDOS

Instrucciones Importantes de Seguridad	20-21
Familiarícese su cafetera Mill & Brew	22-23
Cafetera Mill & Brew™ beneficios del producto	24
Familiarícese con su panel de control	25
Antes de colar café	26
Programación de su cafetera Mill & Brew	26-27
4 Elementos principales para colar la taza perfecta	28
Consejos para obtener la perfecta taza de café	29
Preparación de café	30-31
Cuidado y limpieza	32-33
Resolución de fallas	34
Información de garantía y servicio al cliente	35

PRECAUCIÓN

RIESGO DE INCENDIO O DE CHOQUE ELÉCTRICO. NO ABRA.



El símbolo de un rayo indica voltaje peligroso. El signo de exclamación indica importantes instrucciones de mantenimiento. Consulte a continuación:



Precaución: Para reducir el riesgo de incendio o de choque eléctrico, no retire la cubierta de la cafetera. No contiene por dentro partes reparables por el consumidor. Cualquier reparación deberá ser efectuada únicamente por personal autorizado.

Por favor lea este instructivo antes de usar el producto.

INSTRUCCIONES IMPORTANTES DE SEGURIDAD

Cuando se utilizan aparatos eléctricos, siempre se debe respetar ciertas medidas de seguridad a fin de reducir el riesgo de un incendio, un choque eléctrico y (o) lesiones a las personas, incluyendo las siguientes:

- Lea todas las instrucciones antes de utilizar.
- No toque las superficies calientes. Use las asas o las perillas.
- A fin de protegerse contra un incendio, descarga eléctrica y lesiones a las personas, no sumerja el cable, los enchufes ni el aparato en agua ni en ningún otro líquido.
- Todo aparato eléctrico utilizado cerca de la presencia de los niños o por ellos mismos, requiere la supervisión de un adulto.
- Desenchufe del aparato del tomacorriente cuando éste o el reloj de la pantalla no estén en uso y antes de limpiarlo. Permita que el aparato se enfríe antes de colocarlo o retirar las piezas y antes de limpiarlo.
- No opere ningún aparato eléctrico que tenga el cable o el enchufe averiado, que presente un problema de funcionamiento o que esté dañado. Comuníquese con el departamento de Servicio para el Cliente, llamando gratis al número que aparece en la sección de Garantía.
- El uso de accesorios no recomendados por el fabricante para ser utilizados con este aparato puede ocasionar incendio, descarga eléctrica o lesiones a las personas.
- No utilice este aparato a la intemperie.
- No permita que el cable cuelgue del borde de la mesa o del mostrador ni que entre en contacto con las superficies calientes.
- No coloque el aparato sobre ni cerca de una hornilla de gas o eléctrica ni adentro de un horno caliente.
- Para desconectar, ajuste todo control a la posición de apagado (OFF) y después, retire el enchufe del tomacorriente.
- Este aparato se debe usar únicamente con el fin previsto.
- La tapa debe mantenerse sobre la jarra cuando el aparato está en uso.
- El retirar o abrir la tapa durante el ciclo de colado puede ocasionar quemaduras.
- La jarra está diseñada para ser utilizada con este aparato. Jamás se deberá utilizar sobre una estufa.
- Nunca coloque una jarra caliente sobre una superficie fría ni mojada.
- No utilice la jarra si el vidrio se ha rajado o si el asa está floja o débil.
- No limpie la jarra con limpiadores abrasivos, con almohadillas de fibra de metal ni demás limpiadores abrasivos.
- Este aparato no está diseñado para ser usado por personas (incluyendo los niños) con su capacidad física, psíquica o sensorial reducida, o con falta de experiencia o sabiduría, a menos que sean supervisadas o instruidas acerca del uso del aparato por una persona responsable de su seguridad.
- Los niños deben ser supervisados para asegurar que no jueguen con el aparato.
- El retirar la tapa del molino integrado durante el ciclo de colado puede ocasionar quemaduras.
- Revise el cesto del molino para asegurarse de que no contenga objetos extraños antes de utilizarlo.
- Solo se debe colocar granos de café y café molido en el cesto del molino.
- Evite el contacto con piezas móviles.

CONSERVE ESTAS INSTRUCCIONES.

Este aparato eléctrico es para uso doméstico solamente.

ENCHUFE POLARIZADO (SOLAMENTE PARA LOS MODELOS DE 120V)

Este aparato cuenta con un enchufe polarizado (un contacto es más ancho que el otro). A fin de reducir el riesgo de un choque eléctrico, este enchufe encaja en un tomacorriente polarizado en un solo sentido. Si el enchufe no entra en el tomacorriente, inviértalo y si aun así no encaja, consulte con un electricista. Por favor no trate de alterar esta medida de seguridad.

TORNILLO DE SEGURIDAD

Advertencia: Este aparato cuenta con un tornillo de seguridad para evitar la remoción de la cubierta exterior del mismo. A fin de reducir el riesgo de incendio o de choque eléctrico, por favor no trate de remover la cubierta exterior. Este producto no contiene piezas reparables por el consumidor. Toda reparación se debe llevar a cabo únicamente por personal de servicio autorizado

CABLE ELÉCTRICO

- a) Un cable de alimentación corto es provisto para reducir los riesgos de enredarse o tropezar con un cable más largo.
- b) Existen cables de extensión disponibles y estos pueden ser utilizados si se toma el cuidado debido en su uso.
- c) Si se utiliza un cable de extensión:
 - 1) La clasificación eléctrica marcada del cable de extensión debe ser, como mínimo, igual a la clasificación eléctrica del aparato;
 - 2) Si el aparato es del tipo de conexión a tierra, el cable de extensión debe ser un cable de tres alambres de conexión a tierra; y
 - 3) El cable debe ser acomodado de manera que no cuelgue del mostrador o de la mesa para evitar que un niño tire del mismo o que alguien se tropiece sin darse cuenta.

Nota: Si el cordón de alimentación es dañado, por favor, póngase en contacto con el departamento de garantía enumerado en estas instrucciones.

FAMILIARÍCESE SU CAFETERA MILL & BREW



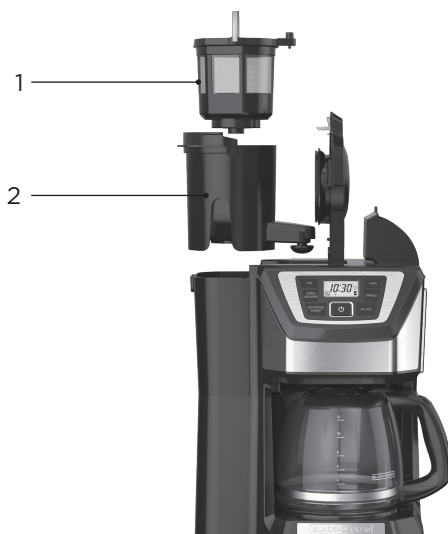
- | | |
|---|---|
| 1. Panel de control | 6. Jarra de vidrio Duralife™
(pieza no. CM5000-01) |
| 2. Palanca de alzamiento | 7. Placa calefactora |
| 3. Tapa | 8. Cuchara para café
(pieza no. CM5000-02) |
| 4. Tapa del tanque de agua | |
| 5. Ventana para ver el nivel de
agua con facilidad | |

El producto puede variar ligeramente
del que aparece ilustrado aquí.

FAMILIARÍCESE SU CAFETERA MILL & BREW

1. Molino de café y cesto del filtro permanente 2 en 1
(pieza no. CM5000-03)

2. Cesto de colar lavable
(pieza no. CM5000-04)



3. Palanca de alzamiento

4. Tapa del molino

5. Distribuidor de agua removible
(presione las lengüetas destacadas para retirarlo)
(pieza no. CM5000-05)



CAFETERA MILL & BREW

BENEFICIOS DEL PRODUCTO

Reloj automático para colada fresca

Después que termina el ciclo de colado, el tiempo transcurrido desde que el café se coló aparecerá en la pantalla en incrementos de 1 minuto. Esta información aparecerá en lugar del reloj digital durante la función de mantener caliente.

Molino de café y cesto del filtro permanente 2 en 1

Granos enteros de café son molidos y colados todo en el mismo montaje del molino, permitiendo colar con rapidez y limpiar con facilidad.

Filtro permanente para el cuidado del medio ambiente

El filtro permanente de alto rendimiento con tono de bronce, elimina la necesidad de utilizar filtros de papel y reduce la presencia de las manchas de café.

Cesto de colar lavable

El cesto de colar lavable se puede retirar fácilmente y lavarse después que se termine de colar, y es apto para lavarse en la bandeja superior de la máquina de lavaplatos.

Distribuidor de agua, removible

El distribuidor de agua de la cafetera es removible para facilitar la limpieza.

Colado automático

La función de colado automático programable, le permite ajustar el reloj automático de 24 horas para colar café a la hora seleccionada, de día o de noche.

Reloj digital con iluminación

La pantalla digital cuenta con un reloj digital programable e iluminación para ver con facilidad cuando haya poca luz.

Apagado automático ajustable

Esta función le permite seleccionar el tiempo de apagado automático de 0 a 2 horas en incrementos de 30 minutos. La placa de calentamiento se mantendrá activa hasta que el tiempo seleccionado de apagado automático sea alcanzado.

Selector de intensidad del café

Prepare el café a su gusto seleccionando entre tres ajustes para la intensidad del colado: regular, fuerte o intenso.

Dispositivo de interrupción de colado Sneak-A-Cup™

¿No puede esperar a que se termine de colar una jarra llena de café? Disfrute de una taza antes que termine el ciclo de colado con la función Sneak-A-Cup™, la cual para el flujo de café que cae en su jarra. Coloque la jarra de nuevo en la cafetera en 15 segundos para evitar que el cesto de colar se desborde.

Selección del grado de molido

Pasa a través de los ciclos de ajustes de molidos óptimos (4, 6, 8, 10, 12) de acuerdo al número de tazas que se vaya a colar o apaga el molino para colar café premolido.

Jarra de vidrio Duralife™

Su diseño duradero extiende la vida de la jarra. Las marcas del nivel de agua hacen fácil llenar la jarra y servir el café.

Placa de calentamiento antiadherente

Le permite mantener su jarra de café caliente después que termine el ciclo de colado hasta que el tiempo de apagado automático seleccionado sea alcanzado.

Ventana para ver el nivel de agua con facilidad

La ventana muestra la cantidad de agua que hay en el tanque para asegurar un llenado fácil y correcto.

Guardacable

Almacenamiento simple mantiene el exceso de cable escondido y su mostrador ordenado.

FAMILIARÍCESE CON SU PANEL DE CONTROL

Indica que el reloj automático de la función de colado automático está ajustado.



Ajuste de la intensidad del colado

Indica si la función para moler granos enteros de café se ha apagado(☒) o encendido(☑).

Ajuste del grado de molido óptimo de acuerdo al número de tazas que se vaya a colar.

Reloj / Pantalla digital con iluminación.

Funcionamiento : Enciende o apaga la unidad.

Automático (AUTO): Activa la función de colado automático.

Programa (PROG): Colado automático (Auto Brew), presione y suelte el botón una vez. Mantener caliente (Keep Warm), presione y mantenga presionado.

Hora (HR): Utilice para programar el reloj (vea la sección de programación).

Minuto (MIN): Utilice para programar el reloj (o pasar a través de los diferentes ajustes de la función de mantener caliente cuando se encuentre en ese modo de programación para ajustar el tiempo de mantener caliente).

Molido (GRIND): Pasa a través de los ciclos de ajustes del grado de molido óptimo (4, 6, 8, 10, 12) de acuerdo al número de tazas que se vaya a colar. También apaga el molino(☒) para colar café premolido.

Fuerte (STRONG): Utilice para seleccionar Ajuste de la intensidad de colado (3 niveles)

Ninguna barra = regular (ajuste programado)

1 barra(▬) = fuerte

2 barras(▬▬) = intenso

ANTES DE COLAR CAFÉ

1. Desempaque su cafetera con cuidado, retirando todo material de empaque, etiquetas y calcomanías adheridas a las superficies de la cafetera.
2. Lave bien su cafetera antes de usarla por primera vez. Lave la jarra de vidrio, el cesto de colar lavable, el molino de café y cesto del filtro permanente 2 en 1, y el distribuidor de agua removible con agua caliente jabonosa. Enjuague y séquelos, luego colóquelos en su cafetera.
3. Limpie el interior de su cafetera colando dos ciclos completos de agua, sin café.
 - a. Vierta agua fría, fresca en el tanque de agua hasta la marca de llenado máxima (MAX) de 12 tazas, luego coloque la jarra sobre la placa de calentamiento.
 - b. Enchufe el cable a un tomacorriente estándar.
 - c. Presione el botón de la función de moler (GRIND) hasta que llegue al símbolo que indica apagar el molino.
 - d. Presione el botón de encendido-apagado / funcionamiento para inmediatamente colar agua a través de la cafetera sin añadir café.
 - e. Una vez que el ciclo de colado haya terminado, deseche el agua y enjuague el molino y cesto del filtro permanente 2 en 1.
 - f. Apague el aparato, desenchúfelo y deje que se enfríe por 15 minutos antes de repetir el proceso.

PROGRAMACIÓN DE SU CAFETERA MILL & BREW

Nota: La primera vez que se presiona el botón, esto hace que se ilumine la pantalla y después cualquier otra vez que se presione el botón hará que se programe la función.

Ajuste del reloj digital

1. Enchufe la cafetera a un tomacorriente estándar.
2. El reloj digital muestra "12:00" de forma intermitente.
3. Para ajustar la hora, presione el botón HR hasta que la hora correcta aparezca en la pantalla. El símbolo "PM" aparecerá en la esquina derecha superior de la pantalla digital para ajustes de tiempo PM.
4. Presione el botón MIN para seleccionar los minutos.

Nota: Si la unidad es desenchufada o la electricidad interrumpida, la hora tendrá que ser ajustada de nuevo al igual que la hora programada para comenzar la función de colado automático.

Ajuste para programar la función de colado automático

La función de colado automático programable le permite ajustar el reloj automático de 24 horas a la hora seleccionada, de día o de noche. Para activar el reloj automático de la función de colado automático, siga los pasos descritos en la próxima página.:

PROGRAMACIÓN DE SU CAFETERA MILL & BREW

1. Después que el reloj digital esté ajustado, presione el botón de programación (PROG). El ícono de reloj automático (🕒) comenzará a parpadear y la pantalla mostrará 12:00.
2. Presione el botón HR y luego el botón MIN para seleccionar la hora que usted desee que el ciclo de colado automático comience (por ejemplo; 7:30 AM). Si es necesario, asegúrese de que la luz indicadora de PM no esté encendida.
3. La pantalla del reloj automático parpadeará varias veces, luego cambiará de nuevo a la hora actual.
4. Presione y suelte el botón AUTO para activar la hora programada. El ícono de reloj automático (🕒) se mantendrá sólido, indicando que la función de colado automático está activada.
5. Cuando la hora del día sea igual que la hora seleccionada para comenzar la función de colado automático, su cafetera activará el ciclo de colado.
6. Para cancelar la función de colado automático, presione el botón AUTO hasta que el ícono de reloj automático (🕒) desaparezca.

Nota: Para verificar la hora seleccionada para el colado automático, presione el botón de programación (PROG) y la hora programada para el colado automático es mostrada. Presione el botón AUTO para activar de nuevo el reloj automático.

Ajuste de la función de apagado automático, tiempo de duración de la función de mantener caliente

Esta función le permite seleccionar el tiempo de duración del apagado automático desde 0 a 2 horas en incrementos de 30 minutos. La placa de calentamiento se activará hasta que el tiempo de apagado automático seleccionado sea alcanzado.

1. Presione y mantenga presionado el botón de programación (PROG) por 3 segundos. La pantalla mostrará el tiempo de mantener caliente programado (120 minutos).
2. Presione el botón MIN para mostrar los ajustes de la función de mantener caliente (00, 30, 60, 90, 120). Los valores son relacionados al tiempo de duración (en minutos), la función de mantener caliente se mantendrá activa después que termine el ciclo de colado.
3. Presione el botón de programación (PROG) para fijar el ajuste de la función de mantener caliente.

Nota: Para verificar la hora seleccionada para el colado automático sin hacer cambios, presione el botón de programación (PROG) para mostrar la hora que comenzará el colado automático, luego presione el botón AUTO.

Ajuste del selector de intensidad del colado

El selector de intensidad del colado personaliza el sabor de su café al brindarle la opción de seleccionar entre tres ajustes de colado. Presione el botón de colado fuerte (STRONG) para pasar a través de los diferentes ajustes de intensidad del colado (3 niveles).

1. El selector de intensidad del colado personaliza el sabor de su café al brindarle la opción de seleccionar entre tres ajustes de colado. Presione el botón de colado fuerte (STRONG) para pasar a través de los diferentes ajustes de intensidad del colado (3 niveles).

Ninguna barra = regular (ajuste programado)

1 barra (▬) = fuerte

2 barras (▬▬) = intenso

4 ELEMENTOS PRINCIPALES PARA COLAR LA TAZA PERFECTA



Calidad del Agua

Una gran taza de café comienza con el uso de agua fresca y de alta calidad. Ya que el agua representa más del 98% del café colado, ésta es tan importante como la calidad del café. El agua que usted use debe tener un sabor fresco de agua potable de buena calidad, con un aroma sin olores y sin la presencia de impurezas.



Frescura del Café

Una verdadera taza de café fresco solo viene de granos de café acabados de moler. Es más, una vez que un grano de café se rompe o se muele, su sabor comienza a deteriorarse con el tiempo. Su cafetera Mill & Brew™ se encarga de maximizar la frescura de su café al moler los granos de café justo antes de colarlos.



Selección del Grado de Molido

El tamaño de las partículas de café molido es esencial para asegurar un sabor y extracción adecuada. Un molido de café demasiado grueso hará que el agua penetre demasiado rápido sin la extracción adecuada. Un molido de café demasiado fino resultará en demasiada extracción y producirá un sabor amargo. Su cafetera Mill & Brew™ cuenta con un ajuste de molido para seleccionar el tipo de molido óptimo de acuerdo al número de tazas que se vaya a colar y asegurar el grado de molido apropiado para este tipo de cafetera.



Proporción Adecuada

Es importante utilizar la cantidad adecuada de café en proporción al agua para producir una colada que no sea demasiado fuerte o floja. Cuando se utilizan granos enteros de café o café premolido, recomendamos usar una cucharada por cada taza de café colado. Esta proporción puede ser ajustada para satisfacer su gusto personal, o trate con el selector de intensidad del colado para personalizar el sabor.



CONSEJOS PARA OBTENER LA PERFECTA TAZA DE CAFÉ



- Para maximizar la frescura de su café, utilice el molino integrado para moler sus granos de café justo antes de colar el café.
- Cuando esté colando granos enteros, utilice el ajuste de molido para seleccionar el grado del molido óptimo de acuerdo al número de tazas que se vaya a colar y asegurar el tamaño apropiado de molido.
- El molino está diseñado para solo moler granos de café. No muele otros alimentos o especias en el molino.
- Siempre use agua fría, fresca y limpia en su cafetera. El agua que use debe tener un aroma sin olores y sin la presencia de impurezas.
- Utilice agua mineral o filtrada, no utilice agua destilada la cual carece de los minerales necesarios para fijarse a los elementos del grano de café.
- Una cafetera limpia siempre es importante. Su limpieza regular es requerida para obtener el mejor sabor de café.
- Siempre almacene su café en un lugar fresco y seco. Una vez que el café se haya abierto, mantengalo sellado en un recipiente de cierre hermético.
- No coloque su café de uso diario en el refrigerador ni lo congele ya que el contacto con la humedad causará que el café se deteriore.
- No reuse su café molido. Después de colarlo, los sabores deseados se han extraído y solo quedan los sabores amargos.
- El café colado debe ser disfrutado inmediatamente! Si se deja el café en la jarra por mucho tiempo o si se recalienta, esto tendrá un impacto en su sabor.
- Huela el aroma de su café acabado de colar y recuerde que cada buche está destinado a ser isaboreado y disfrutado!

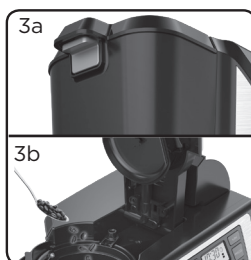
PREPARACIÓN DE CAFÉ

1. Llene la jarra con la cantidad de agua fresca fría y viértala en el tanque de agua. No llene el tanque con más de 12 tazas de agua.



2. Cierre la tapa del tanque y coloque la jarra sobre la placa de calentamiento.

3. (a) Abra la tapa del molino de café utilizando la palanca de alzamiento (b) añada la cantidad deseada de café en el molino y filtro permanente 2 en 1.

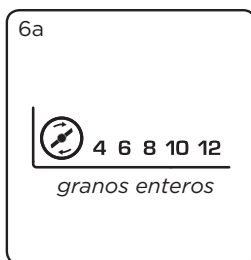


4. Asegure la tapa del molino de café integrado en su lugar. Empuje la tapa hacia abajo hasta que encaje en su lugar o hasta que escuche un sonido. La cafetera no funcionará si la tapa no está cerrada, si todas las piezas del molino no están en su lugar y si el distribuidor de agua removible no está en su lugar.



5. Asegúrese de que la cafetera esté enchufada a un tomacorriente estándar.

6. (a) **Si está usando granos enteros**, presione el botón de la función de moler (GRIND) para pasar a través de los ajustes y seleccionar grado óptimo de molido (4, 6, 8, 10, 12) de acuerdo al número de tazas que se vaya a colar.



PREPARACIÓN DE CAFÉ

6. **(b) Si está usando café molido,** presione el botón de la función de moler para pasar a través de los ajustes hasta que llegue al símbolo que indica apagar el molino y colar café premolido.



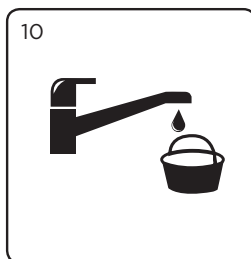
7. Para ajustar la hora de comienzo de la función de colado automático, el tiempo de apagado automático ajustable y la intensidad del colado, siga las instrucciones descritas en sección de Programación de su cafetera Mill & Brew.



8. Presione el botón de encendido-apagado/funcionamiento sólo una vez para comenzar el ciclo de colado. Si está usando granos enteros, el ciclo de colado comenzará automáticamente una vez que se hayan molido los granos.



9. El dispositivo de interrupción de colado Sneak-A-Cup™ le permite servirse una taza de café antes que termine el ciclo de colado. Para evitar un derrame, la jarra se debe colocar de nuevo sobre la placa de calentamiento en 15 segundos. Cuando se coloca la jarra en su lugar, el proceso de colado comenzará de nuevo.



10. Cuando el café molido se enfríe, vacíe el cesto de colar y lávelo después de cada ciclo de colado, igual que se hace con un filtro permanente regular.

CUIDADO Y LIMPIEZA

Se recomienda limpiar su cafetera después de cada uso, siguiendo las instrucciones a continuación. Este producto no contiene piezas que se puedan reparar por el consumidor.

Limpieza

1. Asegúrese de que su cafetera esté apagada, desenchufada y que se haya enfriado.
2. Limpie la superficie exterior de su cafetera y la placa de calentamiento con un paño suave y húmedo.
3. Retire el cesto de colar lavable y el molino de café y cesto del filtro permanente 2 en 1, y deseche el café molido.
4. Lave el distribuidor de agua removible y el molino de café y cesto del filtro permanente 2 en 1 a mano con agua caliente jabonosa.
5. Lave la jarra de vidrio y el cesto de colar lavable a mano con agua caliente jabonosa o en la máquina lavaplatos (solamente en la bandeja superior).
6. Para limpiar el interior de la tapa y el interior del montaje del molino, abra la tapa, déjela abierta y limpie las superficies con un paño húmedo.

Nota: No use limpiadores abrasivos o almohadilla de aluminio y nunca sumerja la caja de la cafetera o el cable en agua.

PARTE DE CAFETERA	INSTRUCCIONES PARA LIMPIEZA
Caja Placa de calentamiento Cable	Limpie con un paño suave, húmedo.
Rociador de agua removible Molino de café y cesto del filtro permanente, 2 en 1	Lave a mano con agua caliente jabonosa.
Jarra y tapa de la jarra Cesto de colar lavable	Lave a mano con agua caliente jabonosa o en la máquina de lavaplatos (solamente en la bandeja superior).


CUIDADO Y LIMPIEZA

Descalcificación con vinagre

Con el uso regular, los minerales y el agua dura pueden causar una obstrucción en su cafetera. Se recomienda hacer una limpieza completa con vinagre una vez al mes.

1. Vierta vinagre blanco en el tanque de agua hasta la marca que indica 6 tazas en la ventana de agua. Agregue agua fresca, fría hasta la marca que indica 10 tazas.
2. Coloque el molino de café y filtro permanente 2 en 1, y el cesto de colar lavable dentro de la caja del montaje de su cafetera Mill & Brew™ y cierre la tapa. Coloque la jarra vacía sobre la placa de calentamiento..
3. Presione el botón de la función de moler (GRIND) para pasar a través de los ajustes del grado de molido hasta que llegue al ícono que indica apagar el molino (☒).
4. Presione el botón de encendido-apagado/funcionamiento y deje que la mitad de la mezcla cuele en la jarra (hasta que el nivel de la mezcla esté cerca de la marca de 5 tazas). Apague la cafetera y déjela remojada por lo menos 15 minutos.
5. Encienda la cafetera de nuevo y cuele la mezcla restante en la jarra.
6. Apague la cafetera y vacíe la jarra.
7. Llene el tanque de agua con agua fría hasta la marca que indica 11 tazas; coloque la jarra en la placa de calentamiento y luego encienda la cafetera para que cuele un ciclo completo y así desechar la mezcla restante. Repita este paso para eliminar completamente el olor y sabor a vinagre.
8. Lave el distribuidor de agua removible, cesto de colar lavable, molino de café y cesto del filtro permanente 2 en 1, y la jarra de vidrio como se indica en la tabla de cuidado y limpieza.

RESOLUCIÓN DE FALLAS

PROBLEMA	CAUSA POSIBLE	SOLUCIÓN
La cafetera no se enciende.	La cafetera no está enchufada.	Asegúrese que el aparato esté enchufado a un tomacorriente que tenga corriente.
La cafetera gotea.	El tanque de agua podría estar demasiado lleno.	Asegúrese de que el tanque de agua no se haya llenado más allá del nivel de llenado máximo (MAX) de 12 tazas.
	Puede ser que la jarra no esté colocada correctamente sobre la placa de calentamiento.	Asegúrese que la jarra esté bien colocada sobre la placa de calentamiento.
El cesto de colar se desborda.	La jarra se ha retirado por más de 15 segundos cuando al usarse el dispositivo de interrupción de colado Sneak-A-Cup™.	Cuando retire la jarra durante el ciclo de colado, asegúrese de colocarla dentro de 15 segundos después de haberla retirado.
	Se ha utilizado una cantidad excesiva de café.	Reduzca la cantidad de café utilizada para evitar que se desborde el cesto de colar.
	El café se ha molido demasiado fino.	Ajuste el grado de molido, tamaño de taza a un ajuste más bajo.
	La pieza en forma de hongo en el dispositivo de interrupción de colado Sneak-A-Cup™ del cesto de colar puede estar obstruida con granos de café.	Libere el cesto de colar de granos de café, empujando la pieza en forma de hongo del dispositivo de interrupción de colado Sneak-A-Cup™ hacia arriba y hacia abajo mientras se está enjuagando.
	Hay residuos de molido en el café colado.	El café molido es lo suficientemente pequeño para que pueda pasar a través del filtro permanente.
	La cafetera cuele lentamente.	La cafetera necesita limpieza.
La cafetera cuele lentamente.	La cafetera necesita limpieza.	Siga las instrucciones descritas en la sección de descalcificación con vinagre, en la página
El molino no enciende.	El molino está sobrecalentado.	Deje enfriar 15 minutos y desenchufe la unidad por lo menos 30 segundos para reajustar el fusible

INFORMACIÓN DE GARANTÍA Y SERVICIO AL CLIENTE

Para servicio, reparaciones o preguntas relacionadas al producto, por favor llame al número del centro de servicio que se indica para el país donde usted compró su producto. **NO** devuélva el producto al fabricante. Llame o lleve el producto a un centro de servicio autorizado.

Dos Años de Garantía Limitada (No aplica en México, Estados Unidos y Canada)

¿Qué cubre la garantía?

- La garantía cubre cualquier defecto de materiales o de mano de obra que no haya sido generado por el uso incorrecto del producto.

¿Por cuánto tiempo es válida la garantía?

- Por dos años a partir de la fecha original de compra mientras que tenga una prueba de la compra.

¿Cómo se obtiene el servicio necesario?

- Conserve el recibo original como comprobante de la fecha de compra, comuníquese con el centro de servicio de su país y haga efectiva su garantía si cumple lo indicado en el manual de instrucciones.

¿Cómo se puede obtener servicio?

- Conserve el recibo original de compra.
- Para servicio al cliente y para registrar su garantía, visite www.prodprotect.com/blackanddecker, o llame al número **1-800-465-6070**, para servicio al cliente
- Por favor llame al número del centro de servicio autorizado. **1-800-738-0245**.

¿Qué aspectos no cubre esta garantía?

- Los productos que han sido utilizados en condiciones distintas a las normales.
- Los daños ocasionados por el mal uso, el abuso o negligencia.
- Los productos que han sido alterados de alguna manera.
- Los daños ocasionados por el uso comercial del producto.
- Los productos utilizados o reparados fuera del país original de compra.
- Las piezas de vidrio y demás accesorios empacados con el aparato.
- Los gastos de tramitación y embarque asociados al reemplazo del producto.
- Los daños y perjuicios indirectos o incidentales.

¿Qué relación tiene la ley estatal con esta garantía?

- Esta garantía le otorga derechos legales específicos y el consumidor podría tener otros derechos que varían de una región a otra.

Si necesita asistencia adicional, favor de ponerse en contacto con nuestro equipo de servicio al consumidor llamando al número **1-800-465-6070**.

Por favor llame al número correspondiente que aparece en la lista a continuación para solicitar que se haga efectiva la garantía y donde Ud. puede solicitar servicio, reparaciones o partes en el país donde el producto fué comprado.

Argentina

Atención al consumidor
0800 444 7296
Horario de atención:
Lunes a viernes de 9 a 13 hs
y de 14.30 a 17 hs.
email: servicios@spectrumbrands.com
Humboldt 2495 piso 3
C.A.B.A. - Argentina

Chile

Servicios Tecnico Hernandez.
Av. Providencia 2529, Local 26.
Santiago-Chile.
Tlf: 56 222333271
Email:
servicioblackanddecker@gmail.com

Colombia

Rayovac Varta S.A
Carrera 17 Número 89-40
Línea gratuita nacional
018000510012

Costa Rica

Aplicaciones Electromecanicas
Calle 22 y 24 en Avenida 3 BLV de la torre
Mercedes Benz
200 mts norte y 50 mts este
San José, Costa Rica
Tel. (506) 2257-5716

Ecuador

Servicio Master
Dirección: Capitán Rafael
Ramos OE 1-85 y Galo plaza lasso.
Tel (593) 2281-3882 / 2240-9870

El Salvador

Sedeblack
Calle San Antonio Abad, Colonia Lisboa
No 2936
San Salvador, Depto. de San Salvador
Tel. (503) 2284-8374

Guatemala

Kinal
17 avenida 26-75, zona 11 Centro
comercial Novicentro,
Local 37 - Ciudad
Guatemala
Tel. (502)-2476-7367

Honduras

Serviteca
San Pedro Sula, B Los Andes, 2 calle-entre
11-12 Avenida
Honduras
Tel. (504) 2550-1074

México

Artículo 123 # 95 Local 109 y 112
Col. Centro, Cuauhtemoc,
México, D.F.
Tel. 01 800 714 2503

Nicaragua

LRM ELECTRONICA
Managua - Sinsa Altamira 1.5
kilómetros al norte
Nicaragua
Tel. (505) 2270-2684

Panamá

Supermarcas
Centro comercial El dorado, Plaza
Dorado, Local 2.
Panama
Tel. (507) 392-6231

Perú

Servicio Central Fast Service
Av. Angamos Este 2431
San Borja, Lima Perú
Tel. (511) 2251 388

Puerto Rico

Buckeye Service
Jesús P. Piñero #1013
Puerto Nuevo, SJ PR 00920
Tel.: (787) 782-6175

Republica Dominicana

Prolongación Av. Rómulo
Betancourt
Zona Industrial de Herrera
Santo Domingo, República
Dominicana
Tel.: (809) 530-5409

Venezuela

Inversiones BDR CA
Av. Casanova C.C.
City Market Nivel Plaza Local 153
Diagonal Hotel Melia,
Caracas.
Tel. (582) 324-0969

PÓLIZA DE GARANTÍA

(Válida sólo para México)

DURACIÓN

Spectrum Brands de México, SA de CV garantiza este producto por 2 años a partir de la fecha original de compra.

¿Qué cubre esta garantía?

- Esta Garantía cubre cualquier defecto que presenten las piezas, componentes y la mano de obra contenidas en este producto.
- Requisitos para hacer válida la garantía
- Para reclamar su Garantía deberá presentar al Centro de Servicio Autorizado la póliza sellada por el establecimiento en donde adquirió el producto. Si no la tiene, podrá presentar el comprobante de compra original.

¿Dónde hago válida la garantía?

- Llame sin costo al teléfono 01 800 714 2503, para ubicar el Centro de Servicio Autorizado más cercano a su domicilio en donde usted podrá encontrar partes, componentes, consumibles y accesorios.

Procedimiento para hacer válida la garantía

Acuda al Centro de Servicio Autorizado con el producto con la póliza de Garantía sellada o el comprobante de compra original, ahí se reemplazará cualquier pieza o componente defectuoso sin cargo alguno para el usuario final. Esta Garantía incluye los gastos de transportación que se deriven de su cumplimiento.

Excepciones

Esta Garantía no será válida cuando el producto:

- A) Se hubiese utilizado en condiciones distintas a las normales.
- B) No hubiese sido operado de acuerdo con el instructivo de uso que le acompaña.
- C) Cuando el producto hubiese sido alterado o reparado por personas no autorizadas por Spectrum Brands de México, SA de CV.

Nota: Usted podrá encontrar partes, componentes, consumibles y accesorios en los centros de servicios autorizados. Esta garantía incluyen los gastos de transportación que se deriven de sus cumplimiento dentro de sus red de servicio.

MATIÈRES

Importantes consignes de sécurité.	39-40
Familiarisation avec la cafetière Mill & Brew	41-42
Cafetière Mill & Brew avantages du produit	43
Familiarisation avec le panneau de commande	44
Avant l'infusion	45
Programmation de la cafetière Mill & Brew	45-46
4 facteurs d'infusion optimale	47
Conseils pour obtenir la tasse de café idéale	48
Infusion Du Café	49-50
Entretien et nettoyage	51-52
Dépannage	53
Renseignements de garantie et service à la clientèle	54



AVERTISSEMENT

RISQUES D'INCENDIE OU DE CHOC ÉLECTRIQUE NE PAS OUVRIR

Le symbole clignotant indique que la « tension est dangereuse »; le point d'exclamation fait référence aux instructions d'entretien. Voir ci-dessous.

Avertissement : Pour réduire les risques d'incendie ou de choc électrique, ne pas retirer le couvercle de la cafetière. L'appareil ne contient aucune pièce réparable par l'utilisateur. Les réparations doivent être effectuées par un technicien autorisé seulement.

Veillez lire et conserver ce guide d'entretien et d'utilisation.

IMPORTANTES CONSIGNES DE SÉCURITÉ.

Lorsque vous utilisez des appareils électriques, des précautions de base doivent toujours être observées, y compris ce qui suit:

- Lire toutes les instructions
- Ne pas toucher aux surfaces chaudes. Prendre l'appareil par les poignées ou les boutons.
- Afin d'éviter les risques d'incendie, de choc électrique et de blessures, ne pas immerger le cordon, la fiche ou l'appareil dans l'eau ou dans d'autres liquides.
- Exercer une étroite surveillance lorsque l'appareil est utilisé à proximité d'un enfant ou que ce dernier s'en sert.
- Débrancher l'appareil lorsque l'appareil et l'horloge ne sont pas en marche, et avant le nettoyage. Laisser refroidir l'appareil avant d'installer ou de retirer des pièces, et avant de le nettoyer.
- Ne pas utiliser un appareil dont la fiche ou le cordon sont abîmés, qui présente un problème de fonctionnement, ou qui est endommagé de quelque façon que ce soit. Communiquer avec le Service de soutien à la clientèle au numéro sans frais indiqué à la section « Garantie ».
- L'utilisation d'accessoires non recommandés par le fabricant de l'appareil présente des risques d'incendie, de choc électrique ou de blessures.
- Ne pas utiliser l'appareil à l'extérieur.
- Ne pas laisser le cordon pendre du rebord d'une table ou d'un comptoir, ou toucher une surface chaude.
- Ne pas placer l'appareil sur un brûleur au gaz ou électrique, ou à proximité, ni dans un four chaud.
- Pour débrancher l'appareil, d'abord mettre tout bouton de commande en position d'arrêt (OFF), puis débrancher l'appareil de la prise de courant.
- N'utiliser cet appareil que pour les fonctions auxquelles il est destiné.
- Garder le couvercle sur la carafe lors de l'utilisation de l'appareil.
- Le retrait du couvercle pendant les cycles d'infusion peut causer des brûlures.
- La carafe est conçue pour être utilisée avec cet appareil. Elle ne doit jamais être utilisée sur une table de cuisson.
- Ne pas déposer la carafe chaude sur une surface froide ou mouillée.
- Ne pas se servir de la carafe si le verre en est fêlé ou si la poignée est lâche ou affaiblie.
- Ne pas nettoyer la carafe avec des produits nettoyants, des tampons en laine d'acier, ou tout autre produit abrasif.
- Cet appareil n'est pas conçu pour être utilisé par des personnes (notamment des enfants) dont les capacités physiques, sensorielles ou mentales sont réduites ou qui manquent d'expérience ou de connaissances, à moins qu'elles ne soient supervisées ou dirigées par une personne responsable de leur sécurité pendant l'utilisation.
- Les enfants doivent être supervisés afin d'éviter qu'ils ne jouent avec l'appareil.
- Le retrait du couvercle intégré pendant le cycle d'infusion peut causer des brûlures et/ou blessures.
- Vérifier si des corps étrangers se trouvent dans le panier à mouture avant l'utilisation.
- Seuls des grains de café ou du marc doivent être déposés dans le panier à mouture.
- Evite el contacto con piezas móviles.

CONSERVER CES MESURES.

L'appareil est conçu pour une utilisation domestique.

FICHE POLARISÉE (MODÈLES DE 120 V SEULEMENT)

L'appareil est muni d'une fiche polarisée (une lame plus large que l'autre). Afin de minimiser les risques de secousses électriques, ce genre de fiche n'entre que d'une façon dans une prise polarisée. Lorsqu'on ne peut insérer la fiche à fond dans la prise, il faut tenter de le faire après avoir inversé les lames de côté. Si la fiche n'entre toujours pas dans la prise, il faut communiquer avec un électricien certifié. Il ne faut pas tenter de modifier la fiche.

VIS INDESSERRABLE

AVERTISSEMENT : L'appareil est doté d'une vis indesserrable empêchant l'enlèvement du couvercle extérieur. Pour réduire les risques d'incendie ou de secousses électriques, ne pas tenter de retirer le couvercle extérieur. L'utilisateur ne peut pas remplacer les pièces de l'appareil. En confier la réparation seulement au personnel des centres de service autorisés.

CORDON D'ALIMENTATION

- a) Un cordon d'alimentation court est fourni pour éviter qu'un cordon long s'emmêle ou fasse trébucher.
- b) Des rallonges électriques sont disponibles et peuvent être utilisées avec prudence.
- c) En cas d'utilisation d'une rallonge :
 - 1) Le calibre indiqué de la rallonge doit être au moins aussi élevé que celui de l'appareil,
 - 2) si l'appareil est mis à la terre, la rallonge doit être de type mise à la terre avec 3 broches; et
 - 3) le cordon électrique doit être disposé de façon à ce qu'il ne pende pas du comptoir ou de la table, qu'il ne soit pas à la portée des enfants et qu'il ne fasse pas trébucher.

Remarque : Si le cordon d'alimentation est endommagé, veuillez communiquer avec le Service de la garantie dont les coordonnées figurent dans les présentes instructions.

FAMILIARISATION AVEC LA CAFETIÈRE MILL & BREW

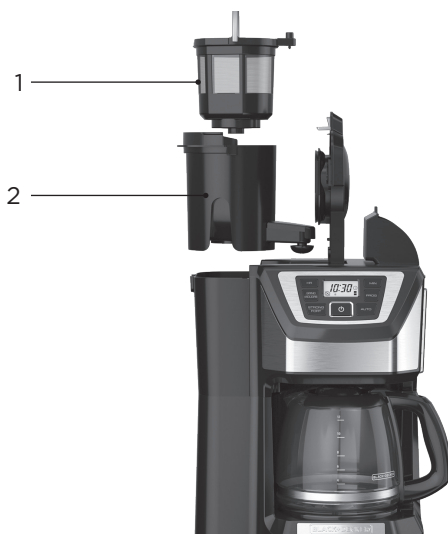


- | | |
|--|--|
| 1. Panneau de commande | 6. Carafe en verre Duralife™
(pièce n° CM5000-01) |
| 2. Loquet | 7. Réchaud |
| 3. Couvercle | 8. Mesure à café |
| 4. Couvercle du réservoir à eau | (pièce n° CM5000-02) |
| 5. Indicateur du niveau d'eau
facile à lire | |

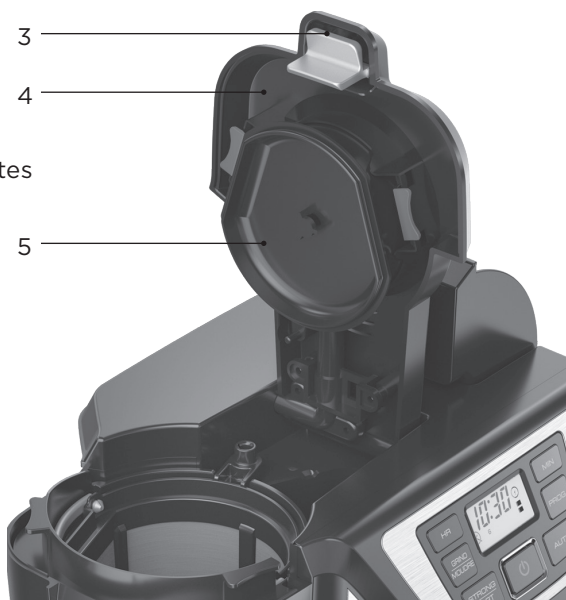
Le produit peut différer légèrement
de celui qui est illustré.

FAMILIARISATION AVEC LA CAFETIÈRE MILL & BREW

1. Moulin et panier-filtre permanent 2 en 1 (pièce n° CM5000-03)
2. Panier d'infusion lavable (pièce n° CM5000-04)



3. Loquet
4. Couvercle du moulin
5. Douchette amovible (appuyer sur les languettes illustrées pour retirer) (pièce n° CM5000-05)



CAFETIÈRE MILL & BREW

AVANTAGES DU PRODUIT

Minuterie d'infusion de café frais

Une fois le cycle d'infusion terminé, le temps écoulé depuis l'infusion s'affiche par tranche de 1 minute. Cette durée remplace l'horloge numérique en mode réchaud.

Moulin et panier-filtre permanent 2 en 1

Les grains de café entiers sont moulus et infusés dans le même module, de façon à accélérer l'infusion et à faciliter le nettoyage.

Filtre permanent écologique

Le filtre permanent haute performance au ton mordoré élimine le besoin de filtres en papier et minimise l'aspect taché que peut laisser le café.

Panier d'infusion lavable

Le panier d'infusion lavable peut être retiré et nettoyé facilement après l'infusion; il peut aussi être lavé au lave-vaisselle dans le panier supérieur.

Douchette amovible

La douchette de la cafetière est amovible pour faciliter le nettoyage.

Infusion automatique

La fonction programmable d'infusion automatique différée vous permet de régler l'heure d'infusion (jour et nuit) à l'aide de la minuterie 24 heures.

Horloge numérique à rétro-éclairage

L'afficheur ACL comporte une horloge numérique programmable et rétroéclairée facile à lire dans les endroits sombres.

Dispositif d'arrêt automatique réglable

Cette caractéristique permet de sélectionner des délais d'arrêt automatique (0 à 2 heures) par tranches de 30 minutes.

Sélecteur du degré d'infusion

Pour personnaliser la saveur du café en sélectionnant un des trois degrés d'infusion suivants : moyen, fort, corsé.

Fonction Sneak-A-Cup™

Vous ne voulez pas attendre que le cycle d'infusion soit entièrement terminé? Vous pouvez vous servir une tasse avant la fin du cycle d'infusion grâce à la fonction Sneak-A-Cup™, qui interrompt l'écoulement dans la carafe. Remettre la carafe en place dans la cafetière dans les 15 secondes suivantes pour éviter que le panier d'infusion ne déborde.

Sélection de la mouture

Cette fonction permet de choisir la mouture optimale (4, 6, 8, 10, 12) correspondant au nombre de tasses à infuser, ou d'éteindre le moulin pour infuser du café prémoulu.

Carafe en verre Duralife™

Sa fabrication robuste procure à la carafe une durée de vie prolongée. Les indications du niveau d'eau facilitent le remplissage et le service.

Réchaud antiadhésif

Cette caractéristique vous permet de garder le café chaud après l'infusion jusqu'à ce que le délai d'arrêt automatique sélectionné soit écoulé.

Indicateur du niveau d'eau facile à lire

L'indicateur du niveau d'eau permet de voir la quantité d'eau dans le réservoir pour faciliter un remplissage précis.

Range-cordon

Pour ranger soigneusement la longueur de cordon superflue et dégager le comptoir.

FAMILIARISATION AVEC LE PANNEAU DE COMMANDE

Indique l'heure à laquelle l'infusion différée est réglée.



Indique si la fonction de mouture de grains entiers est DÉSACTIVÉE(☒) ou ACTIVÉE(☑)

Mouture optimale correspondant au nombre de tasses à infuser

Horloge / afficheur ACL à rétro-éclairage

Power (marche/arrêt) ⏻ : Pour allumer ou arrêter l'appareil

Auto : Turns on the Auto Brew delayed start.

PROG (programme): Infusion automatique - presser et relâcher le bouton. Réchaud - presser et maintenir le bouton enfoncé.

HR (heure): Pour programmer l'horloge (voir la section « Programmation de la cafetière Mill & Brew

MIN (minute) : Pour programmer l'horloge (ou sélectionner les différents réglages du mode réchaud; en mode réchaud, pour régler la durée).

GRIND (mouture) : Pour sélectionner la mouture optimale (4, 6, 8, 10, 12) correspondant au nombre de tasses à infuser. Pour éteindre aussi le moulin pour(☒) infuser du café prémoulu.

STRONG (fort) : Pour sélectionner le degré d'infusion (3 degrés)

Aucune barre = ordinaire (réglage par défaut)

1 barre(■) = fort

2 barres(■) = corsé

AVANT L'INFUSION

1. Déballer délicatement la cafetière et retirer tous les matériaux d'emballage, les étiquettes et/ou les autocollants de l'appareil.
2. Bien nettoyer la cafetière avant de l'utiliser pour la première fois. Laver la carafe en verre, le panier d'infusion, le moulin et le panier-filtre permanent 2 en 1 et la douchette amovible à l'eau tiède savonneuse. Rincer et assécher, puis remettre dans la cafetière.
3. Nettoyer l'intérieur de la cafetière en exécutant deux cycles complets d'infusion à l'eau seulement (sans café).
 - a. Verser de l'eau fraîche froide dans le réservoir à eau, jusqu'à la marque de 12 tasses (MAX), puis déposer la carafe sur le réchaud.
 - b. Brancher le cordon dans une prise de courant standard.
 - c. Appuyer sur le bouton GRIND jusqu'à ce que le symbole d'arrêt apparaisse. (☒)
 - d. Appuyer sur le bouton marche/arrêt pour infuser immédiatement de l'eau dans la cafetière sans ajouter de café.
 - e. Une fois le cycle terminé, jeter l'eau et rincer le moulin et le panier-filtre permanent 2 en 1.
 - f. Éteindre l'appareil, le débrancher et le laisser refroidir pendant 15 minutes avant de recommencer.

PROGRAMMATION DE LA CAFETIÈRE MILL & BREW

Remarque : La première pression du bouton allume l'afficheur à rétro-éclairage, et les pressions subséquentes permettent de programmer l'appareil.

Réglage de l'horloge numérique

1. Brancher le cordon de la cafetière dans une prise électrique standard.
2. L'affichage de l'horloge numérique clignote et indique 12:00.
3. Pour régler l'heure, appuyer sur le bouton HR jusqu'à ce que l'heure exacte soit affichée. Le symbole « PM » apparaît dans le coin supérieur droit de l'afficheur numérique pour les réglages d'après-midi.
4. Appuyer sur le bouton MIN pour sélectionner les minutes.

Remarque : Si l'appareil est débranché ou si le courant est interrompu, il faudra réinitialiser l'horloge et l'heure de l'infusion automatique différée.

Réglage de l'heure de l'infusion automatique différée

La fonction programmable d'infusion automatique différée vous permet de régler l'heure d'infusion (jour et nuit) à l'aide de la minuterie 24 heures. Pour activer la fonction d'infusion automatique, suivez les étapes de la page suivante :

PROGRAMMATION DE LA CAFETIÈRE MILL & BREW

1. Après le réglage de l'horloge numérique, appuyer sur le bouton PROG. L'icône de la minuterie (⌚) clignote, et l'afficheur indique 12:00.
2. Appuyer sur le bouton HR, puis sur MIN, pour sélectionner l'heure de l'infusion automatique (par exemple, 7:30 AM). Au besoin, s'assurer que l'indicateur de l'heure de l'après-midi (PM) n'est pas allumé.
3. L'afficheur de la minuterie clignote plusieurs fois, puis indique l'heure du jour.
4. Presser et relâcher le bouton AUTO pour activer la fonction d'infusion différée préalablement programmée. L'icône de la minuterie (⌚) reste fixe pour indiquer que la fonction d'infusion automatique est activée.
5. Lorsque l'heure du jour atteint l'heure d'infusion automatique programmée, la cafetière active le cycle d'infusion.
6. Pour annuler la fonction d'infusion automatique, appuyer sur le bouton AUTO jusqu'à ce que l'icône de la minuterie (⌚) disparaisse.

Remarque : Pour vérifier l'heure d'infusion automatique programmée, \ appuyer sur le bouton PROG; l'heure programmée s'affiche. Appuyer sur le bouton AUTO pour réactiver la minuterie.

Réglage de la fonction d'arrêt automatique / mode réchaude

Cette caractéristique permet de sélectionner des délais d'arrêt automatique (0 à 2 heures) par tranches de 30 minutes. Le mode réchaud sera activé jusqu'à ce que le délai d'arrêt automatique soit écoulé.

1. Presser et maintenir enfoncé le bouton PROG pendant 3 secondes. L'afficheur indique la durée du mode réchaud par défaut (120 minutes).
2. Appuyer sur le bouton MIN pour faire défiler les durées du mode réchaud (00, 30, 60, 90, 120). Les valeurs correspondent à la durée (en minutes) pendant laquelle le mode réchaud restera actif après l'infusion.
3. Appuyer sur le bouton PROG pour confirmer la durée.

Remarque: Pour vérifier l'heure de l'infusion automatique sans effectuer de changement, appuyer sur le bouton PROG pour afficher l'heure, puis appuyer sur le bouton AUTO.

Sélecteur du degré d'infusion

Le sélecteur du degré d'infusion permet de personnaliser la saveur du café en fonction de trois degrés d'infusion.

1. Appuyer sur le bouton STRONG pour faire défiler les différents degrés d'infusion (3 degrés).
 - a. Aucune barre = ordinaire (réglage par défaut)
 - b. 1 barre(■) = fort
 - c. 2 barres(■ ■) = corsé

4 FACTEURS D'INFUSION OPTIMALE



Qualité de l'eau

Une tasse de café savoureuse exige d'abord une eau fraîche de qualité. Comme l'eau représente plus de 98 % du café infusé, sa qualité est tout aussi importante que celle du café lui-même. L'eau utilisée doit avoir le goût d'une eau potable fraîche de bonne qualité, ne pas dégager d'odeur et ne contenir aucune impureté visible.



Fraîcheur du café

Une tasse de café réellement fraîche n'est produite que par des grains de café fraîchement moulus. En fait, une fois qu'un grain de café est rompu ou moulu, sa saveur commence aussitôt à se dégrader. La cafetière Mill & Brew™ maximise la fraîcheur du café, car la mouture des grains précède immédiatement l'infusion.



Sélection de la mouture

La taille des particules de café moulu est essentielle à une saveur et à une extraction appropriées. Une mouture trop grossière permettra à l'eau de passer trop rapidement, sans extraction appropriée. Une mouture trop fine produira une extraction excessive et un goût amer. La cafetière Mill & Brew™ permet de sélectionner la mouture optimale correspondant au nombre de tasses à infuser, et d'assurer que la taille des particules de café est appropriée à la cafetière.



Proportion appropriée

Il est important de respecter un rapport café/eau approprié pour obtenir une infusion finale ni trop corsée ni trop faible. Nous recommandons 1 cuillère à table de grains de café entiers ou de café prémoulu par tasse (1) de café infusé. Cette proportion peut être ajustée en fonction des goûts individuels; le sélecteur du degré d'infusion peut aussi personnaliser la saveur!



CONSEILS POUR OBTENIR LA TASSE DE CAFÉ IDÉALE



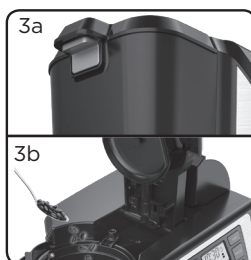
- Pour maximiser la fraîcheur de café, utiliser le moulin intégré pour moudre les grains immédiatement avant l'infusion.
- Dans le cas de grains entiers, utiliser le sélecteur de mouture pour sélectionner la mouture optimale correspondant au nombre de tasses à infuser, et d'assurer que la taille des particules de café est appropriée.
- Le moulin est conçu pour moudre des grains de café seulement. Ne pas moudre d'autres aliments ou épices à l'aide du moulin.
- Toujours utiliser de l'eau fraîche, froide et propre dans la cafetière. L'eau utilisée ne doit pas dégager d'odeur et ne doit contenir aucune impureté visible.
- Utiliser de l'eau de source ou filtrée, et non de l'eau distillée qui est dépourvue des minéraux nécessaires à la fusion des éléments du café.
- Une cafetière propre est toujours importante. Un nettoyage régulier est requis pour assurer le bon goût du café.
- Conserver toujours le café dans un endroit frais et sec. Une fois que l'emballage du café a été ouvert, conservez-le dans un contenant bien fermé et hermétique.
- Ne pas réfrigérer ou congeler la portion quotidienne de café, car le contact avec l'humidité provoquera la dégradation du café.
- Ne jamais réutiliser du café moulu. Après l'infusion, les saveurs désirables du café ont été extraites et seule demeure la saveur amère.
- Le café infusé doit être consommé immédiatement! Laisser le café réchauffer trop longtemps aura un effet négatif sur sa saveur.
- Humez l'arôme d'un café fraîchement infusé et n'oubliez pas que chaque gorgée doit être savoureuse et agréable!

INFUSION DU CAFÉ

1. Remplir la carafe d'eau fraîche et froide en fonction de la quantité désirée, et verser l'eau dans le réservoir. Ne pas dépasser la quantité de 12 tasses d'eau.
2. Fermer le couvercle du réservoir à eau et déposer la carafe sur le réchaud.



3. (a) Ouvrir le couvercle du moulin en actionnant le loquet et (b) ajouter la quantité de café désirée dans le moulin et le panier-filtre permanent 2 en 1.

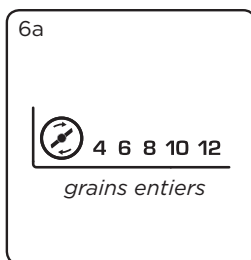


4. Refermer le couvercle du moulin intégré. Appuyer sur le couvercle jusqu'à ce qu'il ferme bien ou jusqu'au dé clic. La cafetière ne fonctionnera pas si le couvercle n'est pas fermé, si les pièces du moulin ne sont pas en place et si la douchette amovible n'est pas installée.



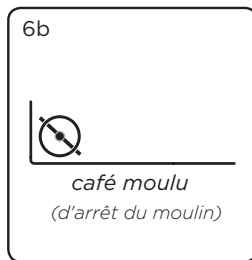
5. S'assurer que la cafetière est branchée dans une prise de courant standard.

6. (a) **Dans le cas de grains entiers**, appuyer sur le bouton GRIND pour sélectionner la mouture optimale (4, 6, 8, 10, 12) correspondant au nombre de tasses à infuser.

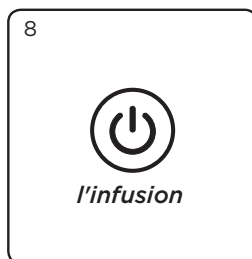


INFUSION DU CAFÉ

6. **(b) Dans le cas de café moulu,** appuyer sur le bouton GRIND pour faire défiler les options de mouture jusqu'au symbole indiquant d'éteindre la cafetière pour infuser du café prémoulu.



7. Pour régler la fonction d'infusion automatique différée, la fonction réglable d'arrêt automatique et le degré d'infusion, suivre les instructions détaillées de la section « Programmation de la cafetière Mill & Brew ».

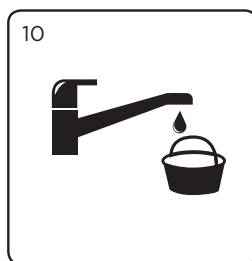


8. Appuyer une fois sur le bouton marche/arrêt pour lancer le cycle d'infusion. Dans le cas de grains entiers, le cycle d'infusion commence immédiatement après la mouture.

9. La fonction Sneak-A-Cup™ vous permet de vous servir une tasse de café avant la fin du cycle d'infusion. La carafe doit être replacée dans la cafetière dans les 15 secondes suivantes pour éviter les débordements. En remettant la carafe en place, le cycle d'infusion recommence.



10. Une fois que le marc de café a refroidi, vider le panier d'infusion et le rincer après chaque cycle d'infusion comme s'il s'agissait d'un filtre permanent ordinaire.



ENTRETIEN ET NETTOYAGE

Il est recommandé de suivre les instructions de nettoyage suivantes après chaque utilisation de la cafetière. Cet appareil ne contient aucune pièce réparable par l'utilisateur.

Nettoyage

1. S'assurer que la cafetière est éteinte et débranchée, et qu'elle a refroidi.
2. Essuyer les surfaces externes de la cafetière et le réchaud à l'aide d'un linge doux humide.
3. Retirer le panier d'infusion lavable ainsi que le moulin et le panier-filtre permanent 2 en 1, et jeter le marc de café.
4. Laver la douchette amovible ainsi que le moulin et le panier-filtre permanent 2 en 1 à la main dans de l'eau tiède savonneuse.
5. Laver la carafe en verre et le panier d'infusion lavable à la main à l'eau tiède savonneuse, ou au lave-vaisselle (panier supérieur seulement).
6. Pour nettoyer l'intérieur du couvercle et l'intérieur du moulin, ouvrir le couvercle, le laisser en position ouverte et essuyer à l'aide d'un linge humide.

Remarque : Ne pas utiliser de nettoyants abrasifs ou de tampons à récurer, et ne jamais immerger le boîtier de la cafetière ou le cordon d'alimentation dans l'eau.

CAFETIÈRE PARTIE	INSTRUCTIONS DE LA CAFETIÈRE
Appareil Réchaud à carafe Cordon d'alimentation	Essuyer à l'aide d'un linge humide doux.
Douchette amovible Moulin et panier-filtre permanent 2 en 1	Laver à la main à l'eau tiède savonneuse.
Carafe et couvercle Panier d'infusion lavable	Laver à la main à l'eau tiède savonneuse, ou au lave-vaisselle (panier supérieur seulement).

ENTRETIEN ET NETTOYAGE

Détartrage avec du vinaigre

Compte tenu de l'utilisation régulière de l'appareil, des dépôts de minéraux provenant de l'eau dure peuvent obstruer la cafetière. Il est recommandé d'effectuer un nettoyage complet au vinaigre, une fois par mois.

1. Verser dans le réservoir à eau une quantité de vinaigre blanc correspondant à la marque de 6 tasses sur la fenêtre. Ajouter de l'eau fraîche froide jusqu'à la marque correspondant à 10 tasses.
2. Placer le moulin et le panier-filtre permanent 2 en 1 ainsi que le panier d'infusion lavable dans la cafetière Mill & Brew™, et fermer le couvercle. Déposer la carafe vide sur le réchaud.
3. Appuyer sur le bouton GRIND pour faire défiler les options de mouture jusqu'au symbole indiquant d'éteindre la cafetière (☒).
4. Appuyer sur le bouton marche/arrêt et laisser le mélange nettoyant infuser dans la carafe (jusqu'à ce que le niveau atteigne à peu près 5 tasses). Éteindre la cafetière et laisser tremper pendant 15 minutes au moins.
5. Allumer la cafetière et faire infuser le reste du mélange nettoyant dans la carafe.
6. Éteindre la cafetière et vider la carafe.
7. Remplir le réservoir d'eau froide jusqu'à la marque correspondant à 11 tasses; remettre la carafe sur le réchaud, puis rallumer la cafetière pour un cycle d'infusion complet afin de chasser le reste du mélange nettoiy Répéter cette étape afin d'éliminer l'odeur et le goût du vinaigre. ant.
8. Laver la douchette amovible, le panier d'infusion lavable, le moulin et le panier-filtre permanent 2 en 1 ainsi que la carafe en verre en suivant les instructions du tableau d'entretien et de nettoyage.

DÉPANNAGE

PROBLÈME	CAUSE POSSIBLE	SOLUTION
La cafetière ne fonctionne pas.	La cafetière n'est pas branchée.	S'assurer que l'appareil est branché à une prise de courant fonctionnelle.
La cafetière fuit.	Le réservoir à eau est peut-être rempli au-delà de sa capacité.	S'assurer que le réservoir à eau n'a pas été rempli au-delà de la ligne de remplissage maximal de 12 tasses.
	La carafe n'est peut-être pas bien placée sur le réchaud.	S'assurer que la carafe est bien placée sur le réchaud.
Du liquide déborde du panier d'infusion.	La carafe a été retirée pendant plus de 15 secondes en mode Sneak-A-Cup™.	S'assurer de remettre la carafe en place avant qu'un délai de 15 secondes soit écoulé durant le cycle d'infusion.
	Quantité de café excessive.	Réduire la quantité de café pour éliminer les débordements.
	La mouture du café est trop fine.	Régler la mouture et choisir un nombre de tasses inférieur.
	Il est possible que le champignon du panier d'infusion Sneak-A-Cup™ soit obstrué de marc de café.	Pour retirer le marc de café du panier d'infusion, appuyer sur la partie en forme de champignon du panier Sneak-A-Cup™ en le relevant et en l'abaissant pendant le rinçage.
Résidu de grains de café dans la tasse infusée.	Le marc de café est suffisamment fin pour passer à travers le filtre permanent.	Bien qu'il soit normal de constater un résidu de café à l'utilisation d'un filtre permanent, une mouture plus grossière peut réduire la quantité de résidu.
L'infusion est lente.	La cafetière doit être nettoyée.	Suivre les instructions de la section « Détartrage avec du vinaigre » à la page 31.
Le moulin ne se met pas en marche.	Moulin surchauffé	Laisser refroidir 15 minutes et débrancher l'appareil pendant au moins 30 secondes pour permettre au fusible de se réinitialiser.



Si une aide supplémentaire est nécessaire, s'il vous plaît contacter notre équipe de service à la clientèle au **1-800-465-6070**.

RENSEIGNEMENTS DE GARANTIE ET SERVICE À LA CLIENTÈLE

Pour communiquer avec les services d'entretien ou de réparation, ou pour adresser toute question relative au produit, composer le numéro sans frais approprié indiqué sur la page couverture. **Ne pas** retourner le produit où il a été acheté. **Ne pas** poster le produit au fabricant ni le porter dans un centre de service. On peut également consulter le site web indiqué sur la page couverture.

Garantie Limitée De Deux Ans (Valable seulement aux États-Unis et au Canada)

Quelle est la couverture?

- Tout défaut de main-d'oeuvre ou de matériau; toutefois, la responsabilité de la société. Spectrum Brands, Inc. se limite au prix d'achat du produit.

Quelle est la durée?

- Deux année(s) à compter de la date d'achat initiale, avec une preuve d'achat.

Quelle aide offrons nous?

- Remplacement par un produit raisonnablement semblable nouveau ou réusiné.

Comment se prévaut-on du service?

- Conserver son reçu de caisse comme preuve de la date d'achat.
- Visiter notre site web au www.prodprotect.com/blackanddecker, ou composer sans frais le **1-800 465-6070**, pour obtenir des renseignements généraux relatifs à la garantie.
- On peut également communiquer avec le service des pièces et des accessoires au **1-800 738-0245**.

Qu'est-ce que la garantie ne couvre pas?

- Des dommages dus à une utilisation commerciale.
- Des dommages causés par une mauvaise utilisation ou de la négligence.
- Des produits qui ont été modifiés.
- Des produits utilisés ou entretenus hors du pays où ils ont été achetés.
- Des pièces en verre et tout autre accessoire emballés avec le produit.
- Les frais de transport et de manutention reliés au remplacement du produit.
- Des dommages indirects (il faut toutefois prendre note que certains états ne permettent pas l'exclusion ni la limitation des dommages indirects).

Quelles lois régissent la garantie?

- Les modalités de la présente garantie donnent des droits légaux spécifiques. L'utilisateur peut également se prévaloir d'autres droits selon l'état ou la province qu'il habite.

Sello del Distribuidor:

Fecha de compra:

Modelo:

Código de fecha / Date Code / Le code de date:

CM5000 - 1025 W 120 V ~ 60 Hz

Comercializado por:

Spectrum Brands de México, SA de C.V
Autopista México Querétaro No 3069-
C Oficina 004 Col. Centro Industrial
Tlalnepantla CP 54030 Tlalnepantla,
Estado de México Teléfono:
01-800-714-2503

Servicio y Reparación
Art. 123 No. 95
Col. Centro, C.P. 06050
Deleg. Cuauhtemoc

Servicio al Consumidor,
Venta de Refacciones
y Accesorios
01 800 714 2503

Importado y Distribuido por :

RAYOVAC ARGENTINA S.R.L. Humboldt
2495 Piso# 3 C1425FUG) C.A.B.A.
Argentina C.U.I.T NO. 30-70706168-1

Importado por / Imported by:

Spectrum Brands de México, SA de C.V
Autopista México Querétaro No 3069-
C Oficina 004 Col. Centro Industrial
Tlalnepantla CP 54030 Tlalnepantla,
Estado de México

Para atención de garantía marque:

01 (800) 714 2503

Importado por / Imported by:

Spectrum Brands En Chile,
Household Products Chile Ltda
Av. Del Valle 570, Ofic. 704
Ciudad Empresarial, Huechuraba
Santiago - Chile
Fono: (562) 2571 3700

Importado por / Imported by:

Spectrum Brands Colombia S.A.
Carrera 17 No.89-40
Bogotá, Colombia
Línea de atención al cliente:
018000510012

BLACK+DECKER

TM

www.BlackAndDeckerAppliances.com



BLACK+DECKER and the BLACK+DECKER logos and product names are trademarks of The Black & Decker Corporation, used under license. All rights reserved.

BLACK+DECKER y los logos y nombres de productos de BLACK+DECKER son marcas registradas de The Black & Decker Corporation, usados bajo licencia. Todos los derechos reservados.

BLACK+DECKER et les logos et noms de produits BLACK+DECKER sont des marques de commerce de The Black & Decker Corporation, utilisées sous licence. Tous droits réservés.

All other marks are Trademarks of Spectrum Brands, Inc.

Todas la demás marcas son Marcas Registradas de Spectrum Brands, Inc.

Toutes les autres marques sont des marques de commerce de Spectrum Brands, Inc.

Made in China.

Fabricado en China.

Fabriqué en Chine.

T22-5004124-B
23276-014